

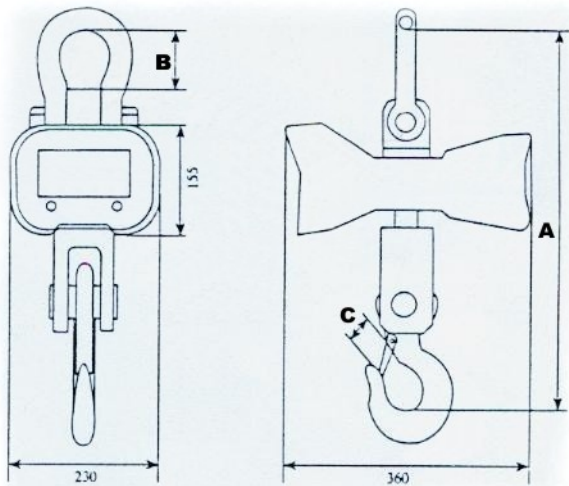
HG Crane Scale

Specifications

- Model / Capacity:

Model	Capacity x readability	Dimensions/ mm		
		A	B	C
H-SAK-HG01	1 t x 0.5 kg	420	65	35
H-SAK-HG02	2 t x 1 kg	420	65	35
H-SAK-HG03	3 t x 1 kg	420	65	35
H-SAK-HG05	5 t x 2 kg	600	100	50
H-SAK-HG10	10 t x 5 kg	730	120	55
H-SAK-HG15	15 t x 5 kg	900	140	70
H-SAK-HG20	20 t x 10 kg	900	140	70

- General dimensions: 230W x 360D mm
- LED display 30 mm high
- AC power 220 VAC, 50 Hz
- AC adaptor 9V / 1.5A inclusive
- Operating temperature: 0 to 40 °C
- Max. humidity: RH less than 85%



Main Features

- Remote control, range up to 15 m
- Net / Gross weight display convertible
- Auto power off for energy saving
- Built-in rechargeable battery



磅 三興製磅廠有限公司
Sam Hing Scales Fty. Ltd.