



Load Monitoring - Dynamometers

Ron 2501 Shackle Type Wireless Dynamometer

ADVANTAGES



Portable: Lightweight and small. Available with Pelican™ carrying case.

Highly Accurate: ± 0.1% of full range - important for early overload detection.

Long transmission Range: Up to 150m/yds. Up to 3.2 Km / 2 Miles upon request (outdoor, line of sight)

Excellent battery life: Up to 2000 Hours (2x AA batteries). Optional 4000h.

Quality Materials: Exclusive use of high strength aerospace quality steel for load cell bodies.

Fatigue rated: All Eilon Engineering load cells are Fatigue Rated according to ASME BTH-1 and IEC 61508. Fatigue Rated means an unlimited number of load cycles (Provided capacity is not exceeded).

Robust: Heavy duty designs with shock absorbing mechanisms.

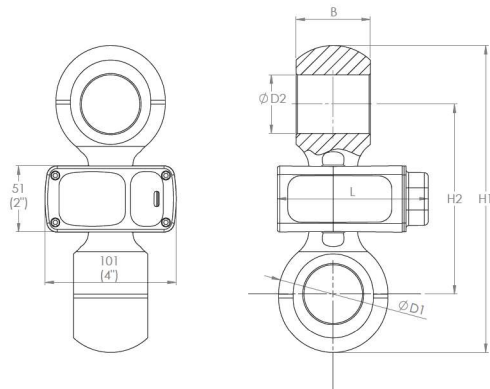
Unique: Shackle holes offset 90 degrees reduce external moments for greater safety and accuracy.

Minimal Headroom loss: Smallest on the market - important for indoor applications.

Multi-point: Up to 200 different load cells controlled by a single receiver and all measurements are presented on one screen as a real time load map.

Advanced options: Auto/Manual Data Logger, RS232, Additional Displays.

More than 40 years in the market with repeat customers such as NASA, Boeing, Cirque du Soleil, Disney, GE, Lockheed Martin, other Fortune 500 companies, as well as numerous small businesses.



TECHNICAL SPECIFICATIONS



Safety factor: 5:1

Accuracy: 0.1% of full range.

Transmission Range: Up to 150m/yds. Up to 3.2 Km / 2 Miles upon request (outdoor, line of sight).

Calibration: User calibration. Initial factory calibration, fully traceable (certified).

Load Cell Material: high-strength, aerospace quality, alloy steel, polyurethane coated.

Proof Load: Each system proof-loaded to 200% of capacity (certified) up to a test force of 400t.

Display: 6 digits, ½" (12mm) liquid crystal display. Overload warnings (100%/130%), low battery indication, Gross/Net. Refresh rate 1Hz.

Sampling Rate: 200 per second.

Functions: Zero, Tare, Battery level indication, Low battery warning, Max. (peak hold).

Units: User selectable units (metric tons, short tons, kgs., lbs., Newtons, Deca-Newtons, Kilo-Newtons).

Indicator/Load Cell Housing: High quality ABS.

Temperature Range:

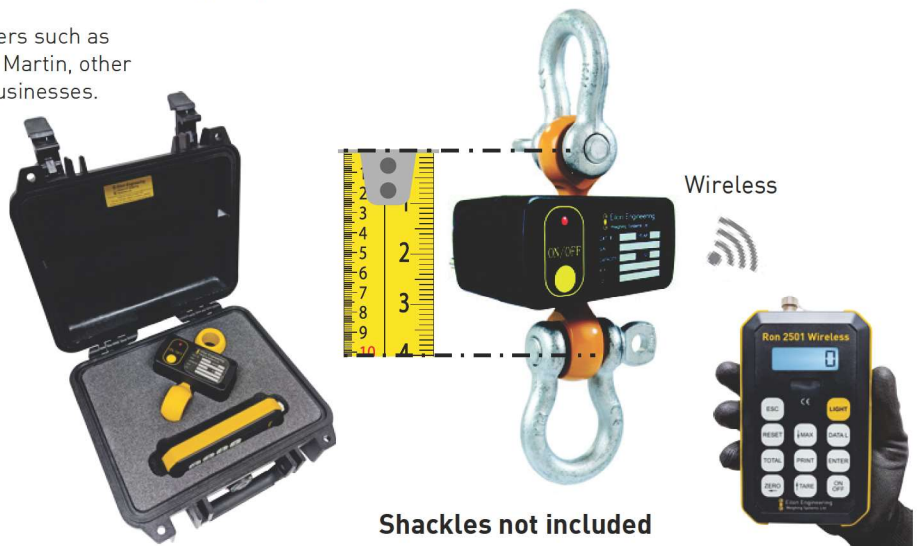
Load cell: -15°F to +175°F (-25°C to +80°C)

Indicator: -4°F to +158°F (-20°C to +70°C)

Environmental:

Load Cell: IP67

Indicator: IP65



Wireless

Shackles not included



Cat no.	Full range	Resolution		Load Cell weight		H1 (max.)		H2 (max.)		B (max.)		L		Ø D1 (max.)		Ø D2 (min.)		Matching anchor shackle size*
	tons	kgs	lbs	kgs	lbs	mm	inch	mm	inch	mm	inch	mm	inch	mm	inch	mm	inch	
S-005	0.5	0.2	0.5	0.3	0.7	0.3	0.7	92	3.7	16	0.7	84	3.31	31	1.3	17	0.66	1/2 7/16 3/8
S-01	1	0.5	1	0.3	0.7	0.3	0.7	92	3.7	16	0.7	84	3.31	31	1.3	17	0.66	1/2 7/16 3/8
S-02	2	1	2	0.3	0.7	0.3	0.7	92	3.7	16	0.7	84	3.31	31	1.3	17	0.66	1/2 7/16 3/8
S-03	3	1	2	0.3	0.7	0.3	0.7	100	4	19	0.75	84	3.31	38	1.5	21	0.82	5/8 1/2
S-05	5	2	5	0.5	1	0.5	1	105	4.2	26	1	84	3.31	43	1.7	23	0.91	3/4 5/8
S-10	10	5	10	1.4	3.1	1.4	3.1	131	5.2	41	1.6	116	4.6	61	2.4	36	1.4	1 1/4 1 1/8 1
S-12	12.5	5	10	1.4	3.1	1.4	3.1	131	5.2	41	1.6	116	4.6	61	2.4	36	1.4	1 1/4 1 1/8 1
S-15	15	5	10	2.5	5.5	2.5	5.5	141	5.6	45	1.7	116	4.6	74	3	40	1.5	1 3/8 1 1/4 1 1/8
S-20	20	10	20	2.5	5.5	2.5	5.5	141	5.6	45	1.7	116	4.6	74	3	40	1.5	1 3/8
S-25	25	10	20	3.7	8	3.7	8	150	5.9	58	2.3	116	4.6	87	3.4	44	1.7	1 1/2
S-30	30	10	20	3.7	8	3.7	8	150	5.9	58	2.3	116	4.6	87	3.4	44	1.7	1 1/2
S-40	40	20	50	8	17	8	17	195	7.7	71	2.8	116	4.6	115	4.5	59	2.3	2 1 3/4
S-55	50	20	50	8	17	8	17	195	7.7	71	2.8	133	5.2	115	4.5	59	2.3	2
S-85	80	50	100	18	40	18	40	255	10	97	3.8	185	7.3	145	5.7	74	2.9	2 1/2
S-100	100	50	100	28	60	28	60	275	10.8	121	4.8	182	7.2	165	6.5	84	3.3	CROSBY No. 2160 125t
S-125	125	50	100	28	60	28	60	275	10.8	121	4.8	182	7.2	165	6.5	84	3.3	CROSBY No. 2160 125t
S-150	150	50	100	57	121	57	121	350	13.8	145	5.7	211	8.3	210	8.3	106	4.2	CROSBY No. 2160 200t
S-200	200	100	200	57	121	57	121	350	13.8	145	5.7	211	8.3	210	8.3	106	4.2	CROSBY No. 2160 200t
S-250	250	100	200	106	225	106	225	490	19.3	178	7	285	11.2	260	10.2	138	5.4	CROSBY No. 2140 250t or No. 2160 300t
S-300	300	100	200	106	225	106	225	490	19.3	178	7	285	11.2	260	10.2	138	5.4	CROSBY No. 2160 300t

> USE SHACKLES WITH S.W.L. (SAFE WORKING LOAD) EQUAL TO, OR GREATER THAN SYSTEM'S FULL RANGE.

> The company reserves the right to make changes without notice.

OPTIONS



- > Optional Backlight
- > Additional 0.5"/12mm LCD display with cable connection to indicator or wireless
- > Additional 1"/25mm LCD display with cable connection to indicator or wireless
- > Additional 2"/50mm LCD display with cable connection to indicator or wireless
- > Additional 5"/125mm LED display with cable connection to indicator or wireless
- > Robust sealed carrying case: Pelican or equivalent
- > Dampened display for unstable loads
- > Automatic/Manual Data Logger - Up to 50,000 measurements
- > Multi-cell: Up to 8 different load cells controlled by a single indicator
- > Multiple point load monitoring: up to 200 load cells, please see Ron StageMaster
- > Number of measurements per second: 1, 2, 3, factory set
- > Real-time clock: date, hour, minute, second adds time stamp to RS-232 output

- > Robust, extruded aluminum, hand-held indicator instead of ABS (1"/25mm or 2"/50mm digits)
- > Rechargeable batteries with external charger.
- > RS-232 - continuous or on demand data output, user-selectable
- > RS-485 - continuous or on demand data output, user-selectable
- > Totalizer
- > Totalizer with Data Logging
- > Wireless communication to additional display or PC
- > USB

High Temperature Options:

- > Heat shield for the load cell
- > Internal load cell thermometer for load cell temperature display on the hand-held indicator
- > Optional Backlight
- > Dampened display for unstable loads

