



# 三興製磅廠有限公司 SAM HING SCALES FTY. LTD.

SINCE 1944  
總寫字樓/工程部: 九龍旺角塘尾道 60-62 號福康工業大廈 4 樓 402 室  
Head Office/ Eng. Dept.: Rm. 402 Fuk Hong Ind. Bldg., 60-62 Tong Mi Rd., Mongkok, Kln., Hong Kong

門市部: 九龍界限街 13 號 F 地舖  
九龍荔枝角道 63 號地舖

G/F., 13 F Boundary St., Kln., Hong Kong

G/F., 63 Lai Chi Kok Rd., Kln., Hong Kong

中國廠址: 廣州市南沙區萬頃沙鎮工業路 37 號

37 Gong Ye Rd., Wanqingsha, Panyu, Guangzhou, China

TEL: (852) 2393 1144 FAX: 2789 3030

Email: sales@samhing.com.hk

Website: www.samhing.com.hk

TEL: (852) 2393 3729 FAX: 2332 9821

TEL: (852) 2398 2283 FAX: 2398 3508

TEL: (020) 8494 3831 FAX: 8494 4868

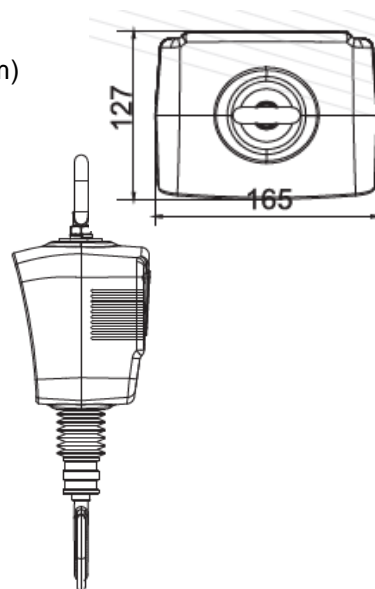
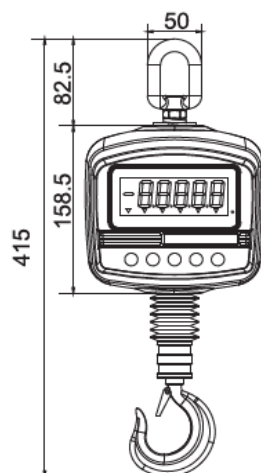
## H-TSSR Series

### Electronic Crane Scale

**T-Scale**



Dimensions (mm)



Model	H-TSSR-60R	H-TSSR-150R	H-TSSR-300R	H-TSSR-600R
Capacity	60kg	150kg	300kg	600kg
Readability	0.01kg	0.02kg	0.05kg	0.1kg
Display	Backlit LCD display, 25mm digit high			
Power	Internal rechargeable battery (AC adapter included)			
Weight	~2kg			

- Robust ABS plastic housing
- Function keys: Zero, Tare, Hold, Unit, On/Off
- Weighing units: kg / lb
- With wireless remote controller
- Internal rechargeable battery provides up to 35 hours of continuous use (without backlit)

本公司另設政府認可實驗室 編號 148

三興製磅廠有限公司 - 測試及校正實驗室  
Sam Hing Scales Fty. Ltd. - Testing and Calibration Laboratory  
Laboratory email: lab@samhing.com.hk

Cat. H-010.E1