

# FOLDED SHEAR BEAM LOAD CELL FOR HIGH ACCURACY WEIGHING

*capacities 2t - 20t*



The T95 range comprises of a stainless steel load cell complete with tough, painted mounting assembly. Although the assembly is used in compression, the cell is mounted in a pendulum and operated in tension. This ensures that the load point is always maintained through the central axis of the cell, even when the assembly is subjected to considerable movement or misalignment.

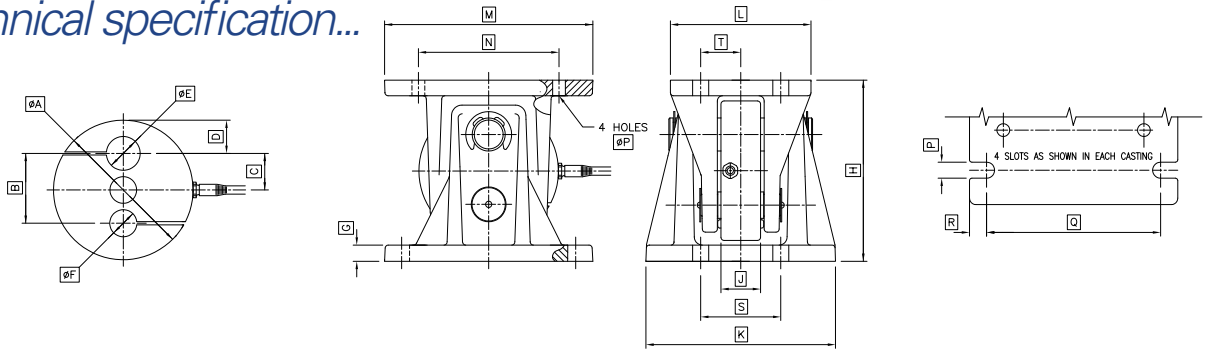
The T95 is most suitable for high accuracy applications where movement or vibration is present, eg mixers, catalyst vessels, weighing platforms, axle weighers and vehicle weigh-in-motion (WIM) systems. The T95 load cell is also available with ATEX intrinsically safe certification for all gas and dust zones.

For applications in aggressive environments where stress corrosion or acid attack is an issue, a special parylene coating can be specified as an option. High temperature variants for operation up to 150°C are also available.

- Stainless steel load sensor
- Fully welded construction sealed to IP68/IP69K
- Ease of installation
- Load cell is always in tension
- OIML C3 approved
- Tough and durable paint finish with Stainless Steel option
- 5 year warranty
- Integral lift off prevention
- Ideal in vibrating applications
- Unique damping feature

# T95

technical specification...



## Model T95 ATEX Certification

Code	Safety Parameters	Application
II 1 GD T70°C EEX ia II C T6	U <sub>i</sub> = 30 V, P <sub>i</sub> = 1.3 W C <sub>i</sub> = 2.4nF, L <sub>i</sub> = 8 µH	Suitable for all dust and gas zones but require safety barriers
II 3 G Ex nA T6(T <sub>a</sub> = -20°C to +60°C)	U <sub>i</sub> = 30 V, P <sub>i</sub> = 1.3 W C <sub>i</sub> = 2.4nF, L <sub>i</sub> = 8 µH	Suitable for Gas zone 2. No safety barriers required. Maximum applied voltage of 42V is allowed
II 1 D Ex ta IIIC T80°C Da IP6X T <sub>a</sub> = (-20°C ≤ T <sub>a</sub> ≤ +60°C)	Um = 18 V	Suitable for all dust zones, 20, 21 and 22. No safety barriers required. Excitation must be below 18V

## Dimensions

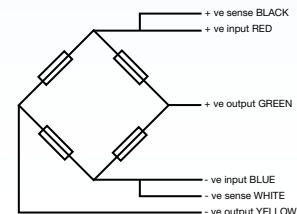
Range (kg)	2000 - 10000	20000
A	137	187
B	66	87
C	35	40.5
D	32	53
E	32.5	48
F	26	36
G	15	22
H	174	245
J	40	57
K	182	252
L	135	186
M	200	260
N	135	185
P	16	20
Q	170	218
R	15	21
S	70	100
T	35	50

## T95 Load Cell

	Load cell specification		Units
<b>Load Cell Capacities</b>	2000, 5000, 10000	20000	kg
<b>OIML</b>	3000	-	divisions
<b>Rated Output</b>	2	2	mV/V +/- 0.1%
<b>Combined Error</b>	< +/- 0.017	< +/- 0.05	%*
<b>Non-repeatability</b>	< +/- 0.015	< +/- 0.02	%*
<b>Temperature Effect on Zero Balance</b>	< +/- 0.002	< +/- 0.0025	%* / °C
<b>Temperature Effect on Span</b>	< +/- 0.0012	< +/- 0.0035	%* / °C
<b>Compensated Temperature Range</b>	-10 to +40	-10 to +40	°C
<b>Operating Temperature Range</b>	-40 to +80	-40 to +80	°C
<b>Safe Overload</b>	150	150	%*
<b>Ultimate Overload</b>	300	300	%*
<b>Zero Balance</b>	< +/- 2	< +/- 2	%*
<b>Input Resistance</b>	380	380	Ω +/- 5
<b>Output Resistance</b>	350	350	Ω +/- 5
<b>Insulation Resistance</b>	> 5000	> 5000	MΩ @ 100V
<b>Recommended Supply Voltage</b>	10	10	V
<b>Maximum Supply Voltage</b>	15	15	V
<b>Environmental Protection</b>	IP68 / IP69K	IP68 / IP69K	
<b>Cable Length</b>	10	20	m
<b>Cable Material</b>	Polyurethane	Polyurethane	
<b>Nominal Shipping Weight load cell</b>	4	11.5	kg
<b>Nominal Shipping Weight assembly</b>	14	38.5	kg

\*With respect to rated output

Dimensions in mm



## Electrical Connections

Via 6 wire, 5.7mm diameter, screened polyurethane cable.

Screen not connected electrically to load cell.

## Construction

Load Cell manufactured from 17-4PH. Stainless steel heat treated to H900 Condition - 1379 N/mm<sup>2</sup> UTS

## Options

C3, 2000kg version available in alloy steel



**磅** 三興製磅廠有限公司  
Sam Hing Scales Fty. Ltd.

Tel: (852) 2393 3148

Website: www.samhing.com.hk

## THAMES SIDE SENSORS LTD

Unit 10, io Trade Centre, Deacon Way, Reading, Berkshire RG30 6AZ

tel: +44 (0) 118 941 1387

fax: +44 (0) 118 941 2004

sales@thames-side.co.uk

www.thames-side.com



Issue: T95.07.13

Our policy is one of continuous product enhancement. We therefore reserve the right to incorporate technical modifications without prior notification.

